

c:\Users\julianarodriguez\building\_drops, inc\building\_drops, inc\documents\common\projects\odi, inc\bc-25-0439\_1 - submittal - odi fiberglass doors component additions\dwg\opaque\odi007.dwg 12/10/2025 4:26 PM

# ODL, INC.

## INSWING & OUTSWING OPAQUE FIBERGLASS DOOR (WZ3)(IMPACT)

**GENERAL NOTES:**

1. THE PRODUCT SHOWN HEREIN IS DESIGNED AND MANUFACTURED TO COMPLY WITH THE CURRENT EDITION OF THE FLORIDA BUILDING CODE (FBC), **EXCLUDING** HVHZ AND HAS BEEN EVALUATED ACCORDING TO THE FOLLOWING:
  - ASTM E1886-19
  - ASTM E1996-20
  - ASTM E330-14
  - ASTM E331-00
  - ASTM E283-04
  - TAS 203-94
2. ADEQUACY OF THE EXISTING STRUCTURAL CONCRETE/MASONRY, 2X FRAMING, AND METAL FRAMING AS A MAIN WIND FORCE RESISTING SYSTEM CAPABLE OF WITHSTANDING AND TRANSFERRING APPLIED PRODUCT LOADS TO THE FOUNDATION IS THE RESPONSIBILITY OF THE ENGINEER OR ARCHITECT OF RECORD FOR THE PROJECT OF INSTALLATION.
3. 1X AND 2X BUCKS (WHEN USED) SHALL BE DESIGNED AND ANCHORED TO PROPERLY TRANSFER ALL LOADS TO THE STRUCTURE. BUCK DESIGN AND INSTALLATION IS THE RESPONSIBILITY OF THE ENGINEER OR ARCHITECT OF RECORD FOR THE PROJECT OF INSTALLATION.
4. INSTALL INDIVIDUAL INSTALLATION ANCHORS WITHIN A TOLERANCE OF ±1/4 INCH OF THE DEPICTED LOCATION IN THE ANCHOR LAYOUT DETAIL (I.E., WITHOUT CONSIDERATION OF TOLERANCES). TOLERANCES ARE NOT CUMULATIVE FROM ONE INSTALLATION ANCHOR TO THE NEXT.
5. THE INSTALLATION DETAILS DESCRIBED HEREIN ARE GENERIC AND MAY NOT REFLECT ACTUAL CONDITIONS FOR A SPECIFIC SITE. IF SITE CONDITIONS CAUSE INSTALLATION TO DEVIATE FROM THE REQUIREMENTS DETAILED HEREIN, A LICENSED ENGINEER OR ARCHITECT SHALL PREPARE SITE SPECIFIC DOCUMENTS FOR USE WITH THIS DOCUMENT.
6. APPROVED IMPACT PROTECTIVE SYSTEM **IS NOT REQUIRED** ON THIS PRODUCT IN AREAS REQUIRING IMPACT RESISTANCE IN WIND ZONE 3 OR LESS.
7. APPROVED IMPACT PROTECTIVE SYSTEM **IS REQUIRED** ON THIS PRODUCT IN AREAS REQUIRING IMPACT RESISTANCE IN WIND ZONE 4.
8. DOOR SKIN MATERIAL: FIBERGLASS

TABLE OF CONTENTS	
SHEET	SHEET DESCRIPTION
1	GENERAL NOTES
2	PRODUCT SPECIFICATIONS TABLE
3	OXXO ELEVATION
4	OXO ELEVATION
5	X & XX ELEVATIONS
6	ADDITIONAL QUALIFIED PANEL DESIGNS
7	ANCHOR LAYOUTS
8	ANCHOR LAYOUTS
9	VERTICAL SECTIONS
10	VERTICAL SECTIONS
11	VERTICAL SECTIONS
12	HORIZONTAL SECTIONS
13	HORIZONTAL SECTIONS
14	HORIZONTAL SECTIONS
15	HORIZONTAL SECTIONS
16	HORIZONTAL SECTIONS
17	HORIZONTAL SECTIONS
18	ANCHOR DETAILS, ANCHOR SCHEDULE, & INSTALLATION NOTES
19	ANCHOR DETAILS
20	ANCHOR DETAILS
21	ANCHOR DETAILS
22	BILL OF MATERIALS & COMPONENTS
23	COMPONENTS



215 EAST ROOSEVELT AVE.  
ZEELAND, MICHIGAN 49464

PH: (800) 253-3900

TITLE:  
INSWING & OUTSWING OPAQUE  
FIBERGLASS DOOR (WZ3) (IMPACT)

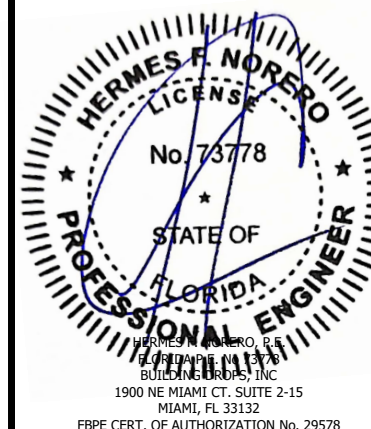
GENERAL NOTES

PREPARED BY:  
BUILDING DROPS, INC.  
1900 NE MIAMI CT, SUITE 2-15  
MIAMI, FL 33132  
PH: (954) 399-8478  
FAX: (954) 744-4738  
WEB: www.buildingdrops.com



REMARKS	BY	DATE

THE INSTALLATION DETAILS DESCRIBED HEREIN ARE GENERIC AND MAY NOT REFLECT ACTUAL CONDITIONS FOR A SPECIFIC SITE. IF SITE CONDITIONS CAUSE INSTALLATION TO DEVIATE FROM THE REQUIREMENTS DETAILED HEREIN, A LICENSED ENGINEER OR ARCHITECT SHALL PREPARE SITE SPECIFIC DOCUMENTS FOR USE WITH THIS DOCUMENT.



FL #:

FL47925

DATE: 12.04.2025

DWG. BY: <b>JR</b>	CHK. BY: <b>HFN</b>
-----------------------	------------------------

SCALE: NTS

DWG. #: ODL007

SHEET:

1

OF 23

c:\Users\julianarodriguez\building\_drops, inc\building\_drops, inc\documents\common\projects\odl, inc\bc-25-0439\_1 - submittal - odl fiberglass doors component additions\dwg\opaque\odl007.dwg 12/10/2025 4:26 PM



215 EAST ROOSEVELT AVE.  
ZEELAND, MICHIGAN 49464

PH: (800) 253-3900

PRODUCT SPECIFICATIONS								
JAMB TYPE	DOOR SIZE	OUTSWING (OS) / INSWING (IS)	UNIT CONFIGURATIONS & CORRESPONDING MAX. DESIGN PRESSURES (PSF)					BOXED (BOX) / CONTINUOUS CONSTRUCTION (CHS)
			X	OX	OXO	XX	OXXO	
WOOD	6'8"	IS	+ 65 / - 70	+/- 50	+/- 50	+/- 50	+/- 50	BOX
		OS	+/- 65	+/- 50	+/- 50	+/- 50	+/- 50	
	8'0"	IS	+/- 60	+/- 50	+/- 50	+ 45 / - 50	+ 45 / - 50	
		OS	+/- 60	+/- 50	+/- 50	+/- 45	+/- 45	
COMPOSITE	6'8"	IS	+ 65 / - 70	+/- 50	+/- 50	+/- 50	+/- 50	
		OS	+/- 65	+/- 50	+/- 50	+/- 50	+/- 50	
	8'0"	IS	+/- 60	+/- 50	+/- 50	+ 45 / - 50	+ 45 / - 50	
		OS	+/- 60	+/- 50	+/- 50	+/- 45	+/- 45	
WOOD	6'8"	IS	-	+/- 50	+/- 50	-	+/- 50	CHS
		OS	-	+/- 50	+/- 50	-	+/- 50	
	8'0"	IS	-	+ 45 / - 50	+ 45 / - 50	-	+ 40 / - 45	
		OS	-	+/- 50	+/- 50	-	+/- 45	
COMPOSITE	6'8"	IS	-	+/- 50	+/- 50	-	+/- 50	
		OS	-	+/- 50	+/- 50	-	+/- 50	
	8'0"	IS	-	+ 45 / - 50	+ 45 / - 50	-	+ 40 / - 45	
		OS	-	+/- 50	+/- 50	-	+/- 45	

NOTE: ALL RATINGS ARE WITH NARROW SIDELITES (UP TO 15.50" SIDELITE FRAME WIDTH), EXCEPT CONTINUOUS OXXO CONFIGURATIONS WHICH INCLUDE FULL SIDELITES (UP TO 37.50" SIDELITE FRAME WIDTH).

TITLE:  
INSWING & OUTSWING OPAQUE  
FIBERGLASS DOOR (WZ3) (IMPACT)

PRODUCT SPECIFICATIONS  
TABLE

PREPARED BY:  
BUILDING DROPS, INC.  
1900 NE MIAMI CT, SUITE 2-15  
MIAMI, FL 33132  
PH: (954) 399-8478  
FAX: (954) 744-4738  
WEB: www.buildingdrops.com

REMARKS	BY	DATE

THE INSTALLATION DETAILS DESCRIBED HEREIN ARE GENERIC AND MAY NOT REFLECT ACTUAL CONDITIONS FOR A SPECIFIC SITE. IF SITE CONDITIONS CAUSE INSTALLATION TO DEVIATE FROM THE REQUIREMENTS DETAILED HEREIN, A LICENSED ENGINEER OR ARCHITECT SHALL PREPARE SITE SPECIFIC DOCUMENTS FOR USE WITH THIS DOCUMENT.

HERMES F. NORERO  
LICENSE  
No. 73778  
STATE OF  
FLORIDA  
PROFESSIONAL ENGINEER

HERMES F. NORERO, R.  
ENGINEER  
BUILDING DROPS, INC.  
1900 NE MIAMI CT, SUITE 2-15  
MIAMI, FL 33132  
FBPE CERT. OF AUTHORIZATION No. 29578

FL #:  
**FL47925**

DATE: **12.04.2025**

DWG. BY: **JR**      CHK. BY: **HFN**

SCALE: **NTS**

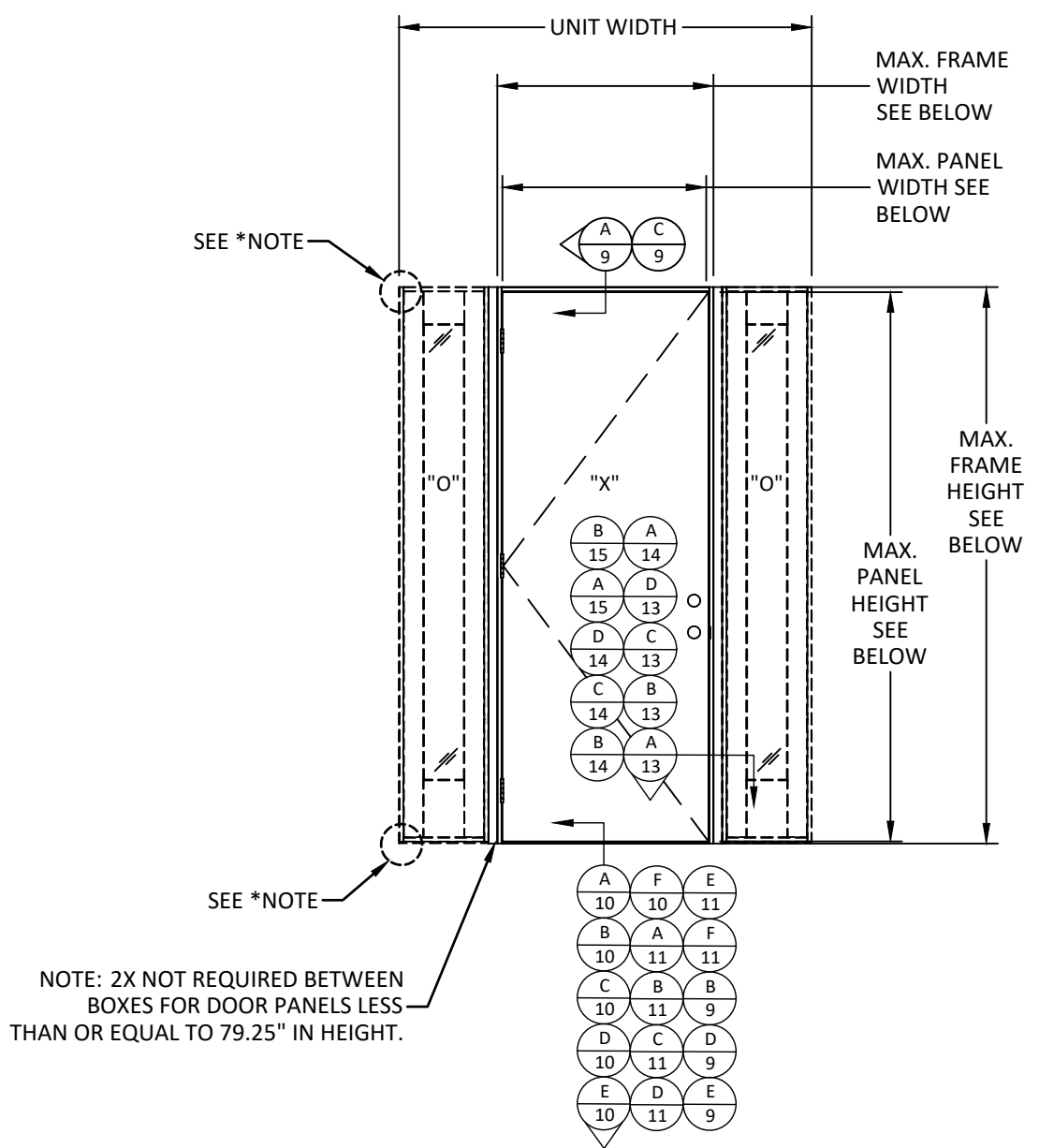
DWG. #: **ODL007**

SHEET:  
**2**  
OF 23



c:\Users\julianarodriguez\building\_drops, inc\building\_drops, inc\building\_drops, inc\documents\common\projects\odl, inc\bc-25-0439\_1 - submittal - odl fiberglass doors component additions\dwgs\opaque\odl007.dwg  
 12/10/2025 4:27 PM

### ELEVATION OXO CONFIGURATION



NOTE: BOXED CONSTRUCTION SHOWN, CONTINUOUS CONSTRUCTION QUALIFIED. SEE SHEETS 13-15 FOR HORIZONTAL SECTION DETAILS FOR CONTINUOUS CONSTRUCTION.

\*NOTE: OPTION TO ATTACH FRAME CORNERS WITH 7/16" X 2" 16 GAGE STAPLES WITH (4) PER CORNER ON THE HEAD AND (2) PER CORNER ON THE SILL. ANOTHER OPTION IS TO FASTEN EACH CORNER WITH #9 X 2-1/2" PHILLIPS HEAD SCREWS WITH (3) PER CORNER ON THE HEAD FOR ALL SILLS. FOR ENDURA AND DLP ADA SILLS, (3) SCREWS PER CORNER ON THE SILL. ALL OTHER SILLS CAN HAVE (2) SCREWS PER CORNER.

NOTE: OPAQUE PANELS QUALIFIED FOR USE WITH GLAZED AND FLUSH GLAZED SIDELITES. SEE SEPARATE FLORIDA PRODUCT APPROVAL FOR MORE INFORMATION ON SIDELITES.



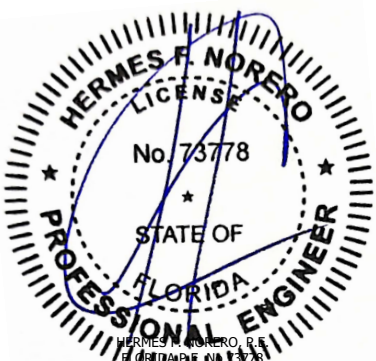
215 EAST ROOSEVELT AVE.  
ZEELAND, MICHIGAN 49464  
PH: (800) 253-3900

TITLE:  
INSWING & OUTSWING OPAQUE  
FIBERGLASS DOOR (WZ3) (IMPACT)

PREPARED BY:  
BUILDING DROPS, INC.  
1900 NE MIAMI CT. SUITE 2-15  
MIAMI, FL 33132  
PH: (954) 399-8478  
FAX: (954) 744-4738  
WEB: www.buildingdrops.com

REMARKS	BY	DATE

THE INSTALLATION DETAILS DESCRIBED HEREIN ARE GENERIC AND MAY NOT REFLECT ACTUAL CONDITIONS FOR A SPECIFIC SITE. IF SITE CONDITIONS CAUSE INSTALLATION TO DEVIATE FROM THE REQUIREMENTS DETAILED HEREIN, A LICENSED ENGINEER OR ARCHITECT SHALL PREPARE SITE SPECIFIC DOCUMENTS FOR USE WITH THIS DOCUMENT.



HERMES F. NORERO, R.  
REGISTERED PROFESSIONAL ENGINEER  
BUILDING DROPS, INC.  
1900 NE MIAMI CT. SUITE 2-15  
MIAMI, FL 33132  
FBPE CERT. OF AUTHORIZATION No. 29578

FL #: **FL47925**

DATE: **12.04.2025**

DWG. BY: **JR**      CHK. BY: **HFN**

SCALE: **NTS**

DWG. #: **ODL007**

SHEET: **4** OF 23

DOOR: PRODUCT DIMENSIONS TABLE				
PRODUCT	MAX. DOOR FRAME WIDTH (IN)	MAX. DOOR FRAME HEIGHT (IN)	MAX. DOOR PANEL WIDTH (IN)	MAX. DOOR PANEL HEIGHT (IN)
6'8" OPAQUE	37.50	82.00	35.75	79.25
8'0" OPAQUE	37.50	98.00	35.75	95.25









c:\users\julianarodriguez\building\_drops, inc\building\_drops\projects\odl, inc\bc-25-0439\_1 - submittal - odl fiberglass doors component additions\dwg\opaque\odl007.dwg 12/10/2025 4:27 PM



215 EAST ROOSEVELT AVE.  
ZEELAND, MICHIGAN 49464

PH: (800) 253-3900

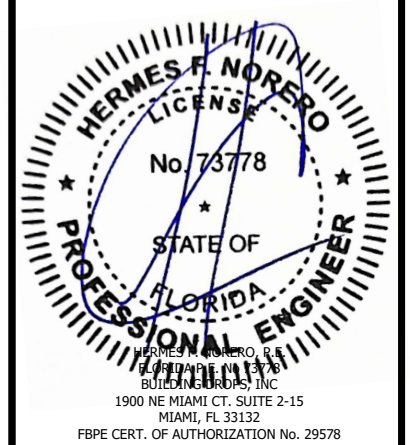
TITLE: INSWING & OUTSWING OPAQUE FIBERGLASS DOOR (WZ3) (IMPACT)  
VERTICAL SECTIONS

PREPARED BY: BUILDING DROPS, INC.  
1900 NE MIAMI CT, SUITE 2-15  
MIAMI, FL 33132  
PH: (954) 399-8478  
FAX: (954) 744-4738  
WEB: www.buildingdrops.com



REMARKS	BY	DATE

THE INSTALLATION DETAILS DESCRIBED HEREIN ARE GENERIC AND MAY NOT REFLECT ACTUAL CONDITIONS FOR A SPECIFIC SITE. IF SITE CONDITIONS CAUSE INSTALLATION TO DEVIATE FROM THE REQUIREMENTS DETAILED HEREIN, A LICENSED ENGINEER OR ARCHITECT SHALL PREPARE SITE SPECIFIC DOCUMENTS FOR USE WITH THIS DOCUMENT.



FL #: FL47925

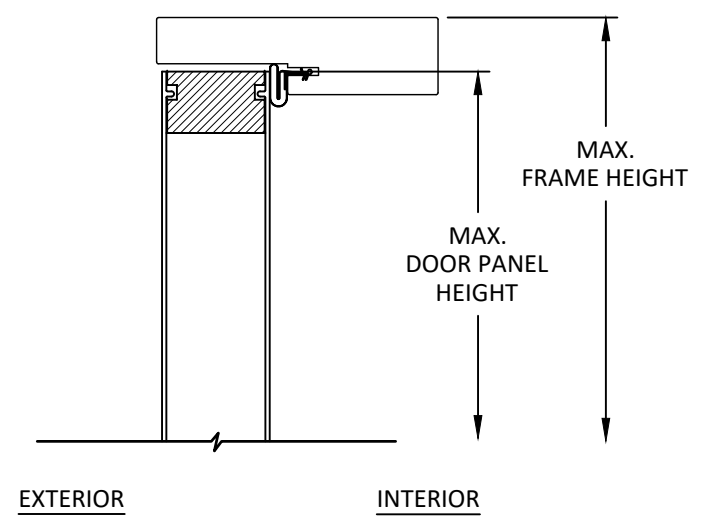
DATE: 12.04.2025

DWG. BY: JR      CHK. BY: HFN

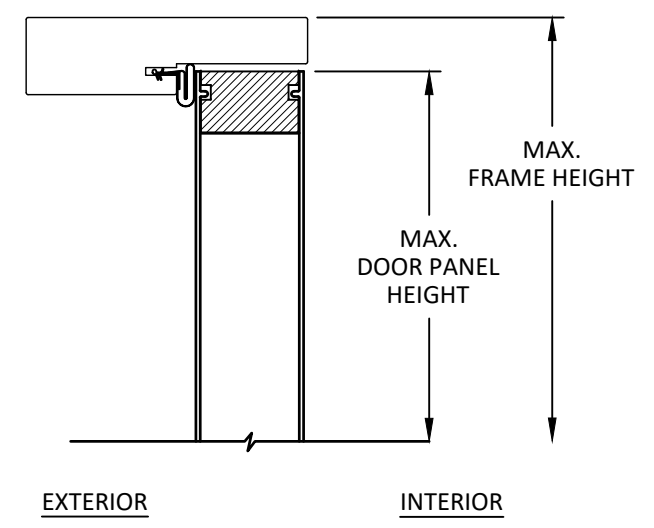
SCALE: NTS

DWG. #: ODL007

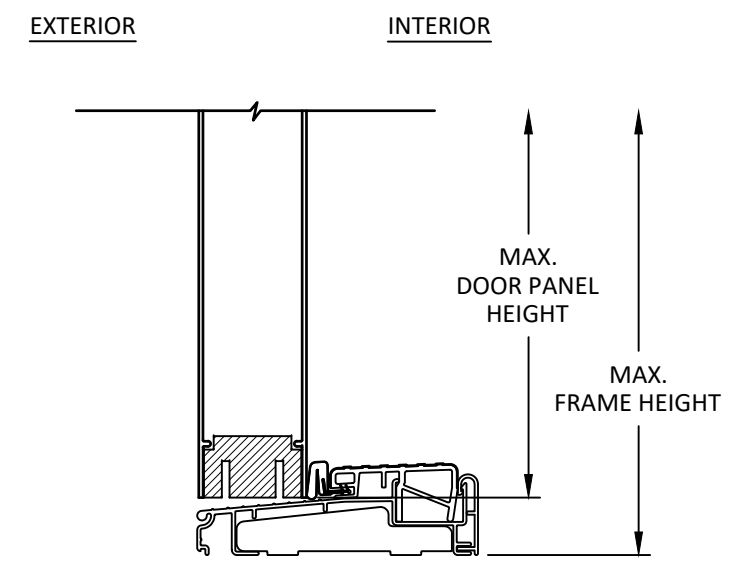
SHEET: 9 OF 23



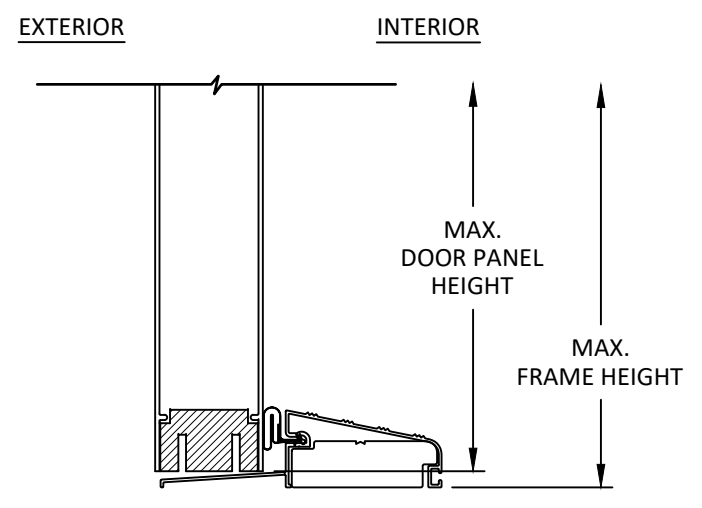
**A**  
9 VERTICAL SECTION  
OUTSWING DOOR - HEAD



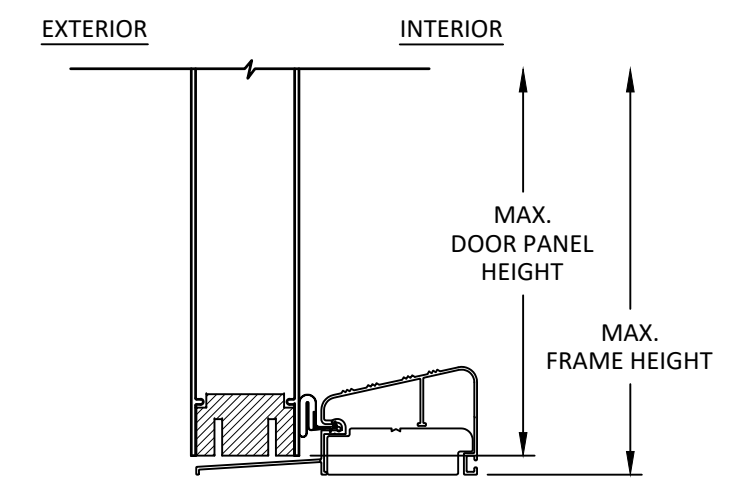
**C**  
9 VERTICAL SECTION  
INSWING DOOR - HEAD



**E**  
9 VERTICAL SECTION  
ENDURA ZOB4565FN SILL  
SIDELITE QUALIFIED FOR USE WITH SILL  
CONTINUOUS CONSTRUCTION  
RATED TO MAX. DESIGN PRESSURE +/- 50 PSF



**B**  
9 VERTICAL SECTION  
QOSH SILL  
SIDELITE QUALIFIED FOR USE WITH SILL  
BOX CONSTRUCTION  
RATED TO MAX. DESIGN PRESSURE +/- 50 PSF

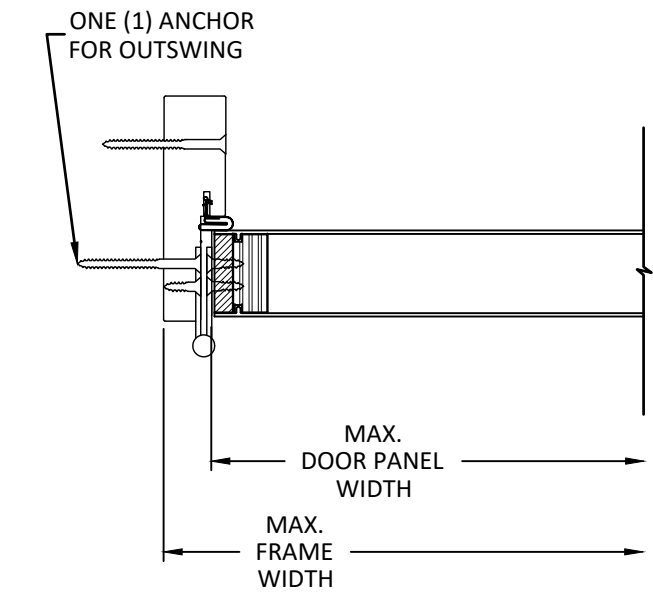


**D**  
9 VERTICAL SECTION  
QOSR SILL  
SIDELITE QUALIFIED FOR USE WITH SILL  
BOX CONSTRUCTION  
RATED TO MAX. DESIGN PRESSURE +/- 50 PSF

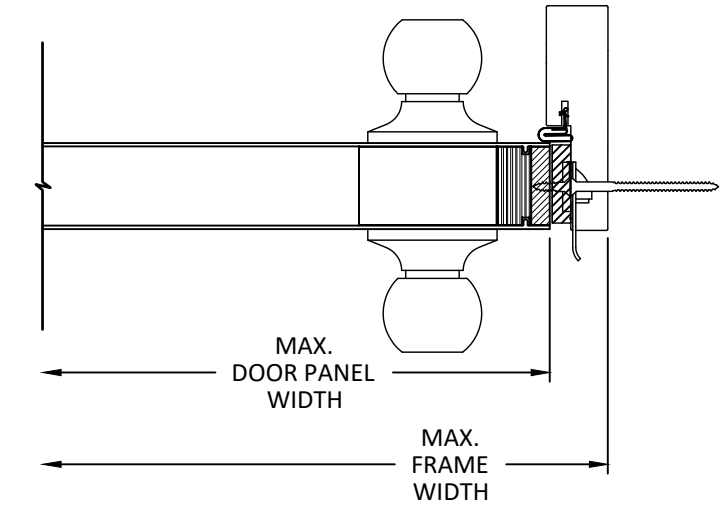




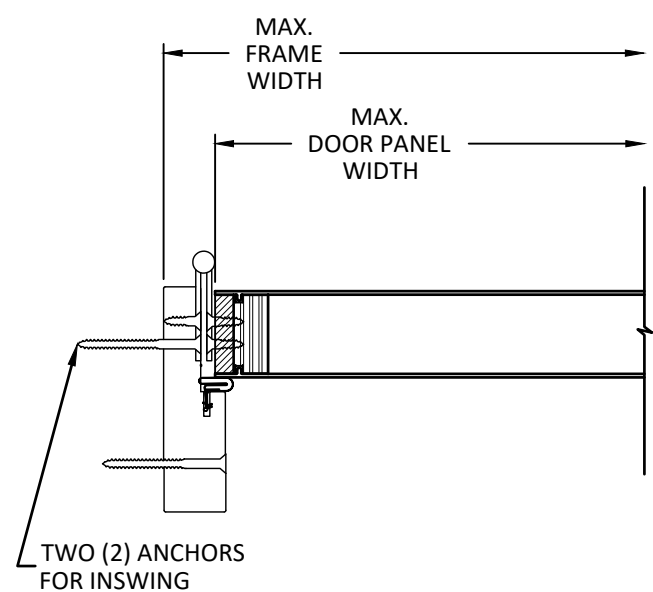
c:\users\julianarodriguez\building\_drops, inc\building\_drops\projects\odl, inc\bc-25-0439\_1 - submittal - odl fiberglass doors component additions\dwg\opaque\odl007.dwg 12/10/2025 4:27 PM



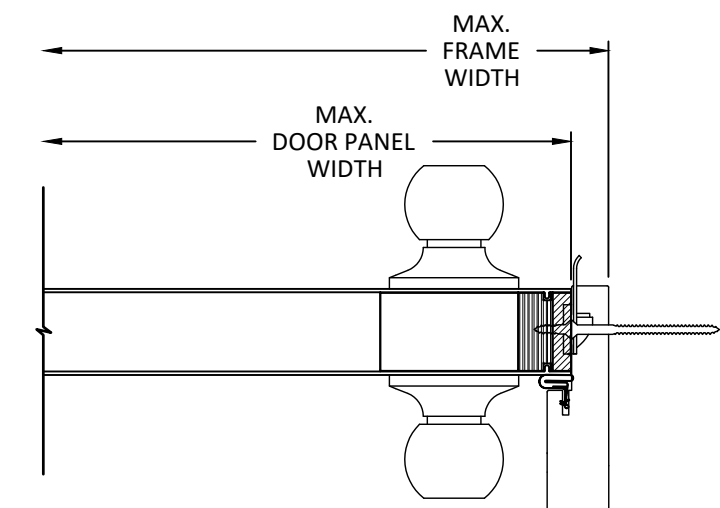
**A**  
12 HORIZONTAL SECTION  
OUTSWING - HINGE JAMB



**B**  
12 HORIZONTAL SECTION  
OUTSWING - LOCK JAMB



**C**  
12 HORIZONTAL SECTION  
INSWING - HINGE JAMB



**D**  
12 HORIZONTAL SECTION  
INSWING - LOCK JAMB



215 EAST ROOSEVELT AVE.  
ZEELAND, MICHIGAN 49464  
PH: (800) 253-3900

**TITLE:**  
IN SWING & OUTSWING OPAQUE  
FIBERGLASS DOOR (WZ3) (IMPACT)

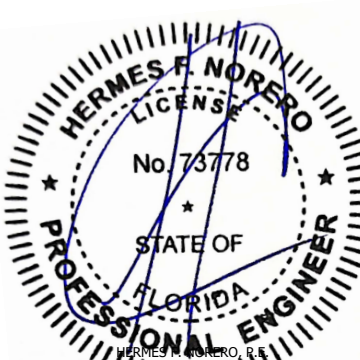
**HORIZONTAL SECTIONS**

**PREPARED BY:**  
BUILDING DROPS, INC.  
1900 NE MIAMI CT. SUITE 2-15  
MIAMI, FL 33132  
PH: (954) 399-8478  
FAX: (954) 744-4738  
WEB: www.buildingdrops.com



REMARKS	BY	DATE

THE INSTALLATION DETAILS DESCRIBED HEREIN ARE GENERIC AND MAY NOT REFLECT ACTUAL CONDITIONS FOR A SPECIFIC SITE. IF SITE CONDITIONS CAUSE INSTALLATION TO DEVIATE FROM THE REQUIREMENTS DETAILED HEREIN, A LICENSED ENGINEER OR ARCHITECT SHALL PREPARE SITE SPECIFIC DOCUMENTS FOR USE WITH THIS DOCUMENT.



HERMES F. NORERO, R.  
ENGINEER  
BUILDING DROPS, INC.  
1900 NE MIAMI CT. SUITE 2-15  
MIAMI, FL 33132  
FBPE CERT. OF AUTHORIZATION No. 29578

FL #: **FL47925**

DATE: **12.04.2025**

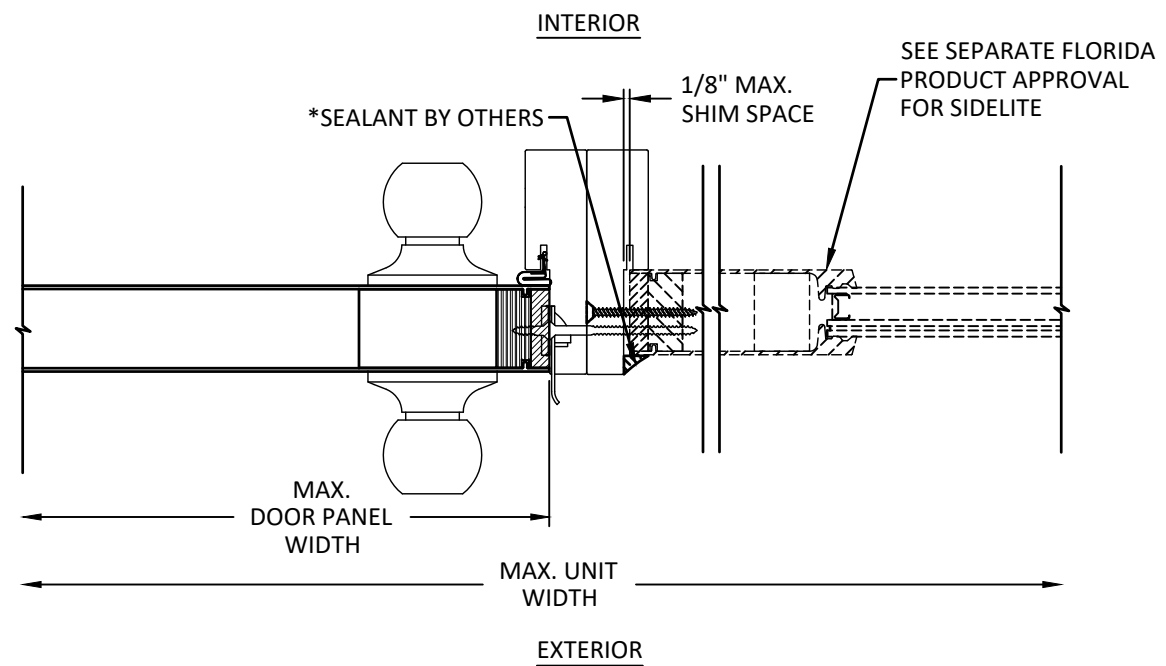
DWG. BY: **JR** | CHK. BY: **HFN**

SCALE: **NTS**

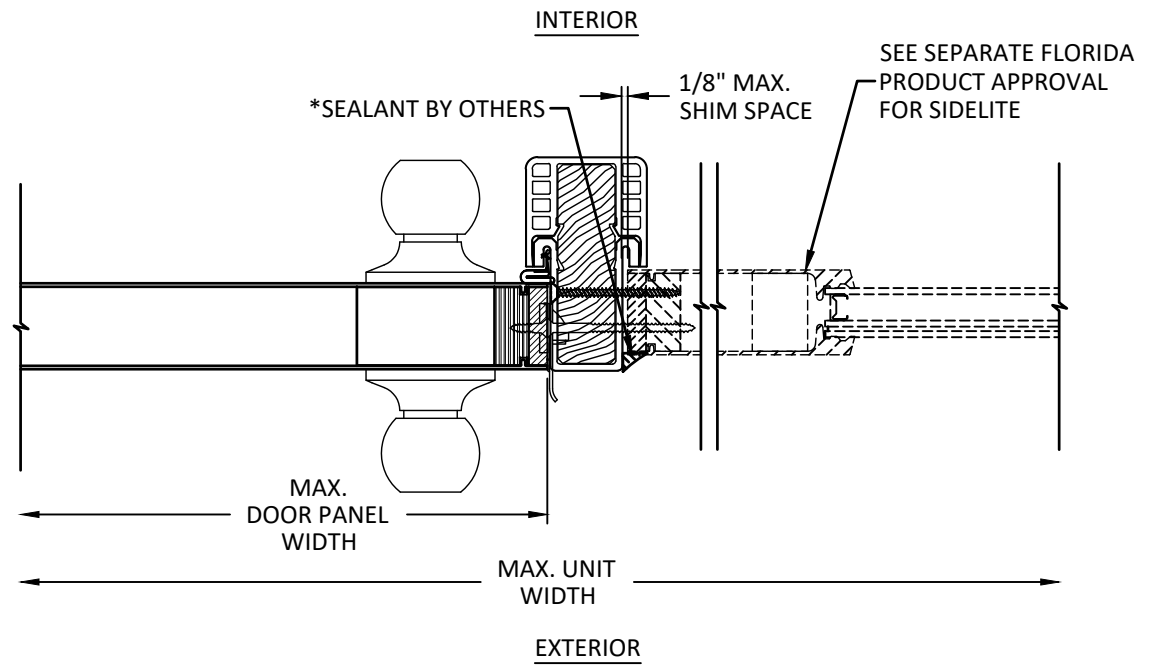
DWG. #: **ODL007**

SHEET: **12**  
OF 23

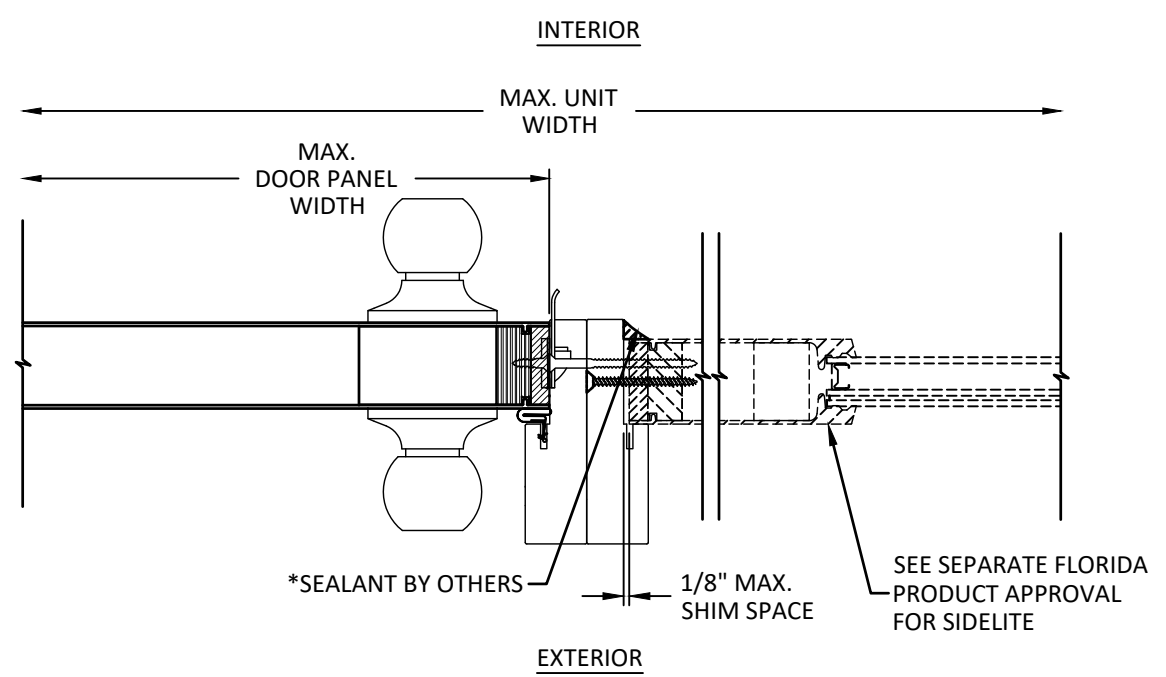
c:\users\julianarodriguez\building\_drops, inc\building\_drops, inc\building\_drops, inc\bc-25-0439\_1 - submittal - odl fiberglass doors component additions\dwg\opaque\odl007.dwg 12/10/2025 4:27 PM



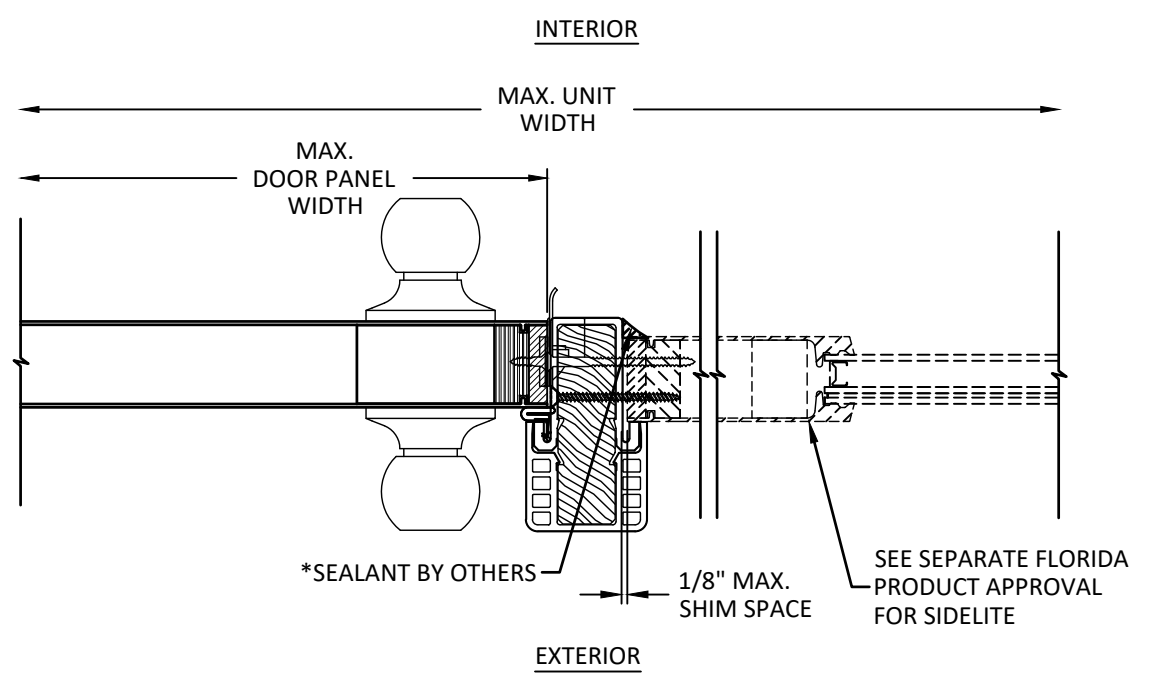
**A**  
**13** **HORIZONTAL SECTION**  
OUTSWING - BOXED MULLION  
BOXED CONSTRUCTION  
RATED TO MAX. DESIGN PRESSURE +/- 50 PSF



**C**  
**13** **HORIZONTAL SECTION**  
OUTSWING - ENDURA FUSION MULLION  
CONTINUOUS CONSTRUCTION  
RATED TO MAX. DESIGN PRESSURE +/- 50 PSF



**B**  
**13** **HORIZONTAL SECTION**  
INSWING - BOXED MULLION  
BOXED CONSTRUCTION  
RATED TO MAX. DESIGN PRESSURE +/- 50 PSF



**D**  
**13** **HORIZONTAL SECTION**  
INSWING - ENDURA FUSION MULLION  
CONTINUOUS CONSTRUCTION  
RATED TO MAX. DESIGN PRESSURE +/- 50 PSF



215 EAST ROOSEVELT AVE.  
ZEELAND, MICHIGAN 49464

PH: (800) 253-3900

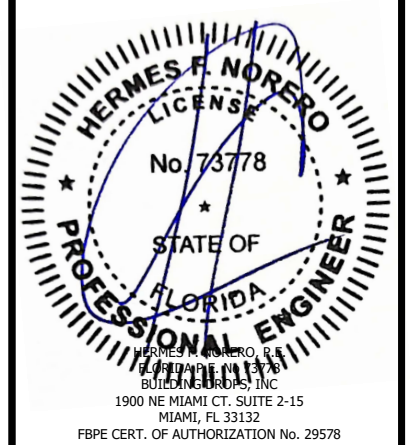
TITLE:  
INSWING & OUTSWING OPAQUE  
FIBERGLASS DOOR (WZ3) (IMPACT)  
HORIZONTAL SECTIONS

PREPARED BY:  
BUILDING DROPS, INC.  
1900 NE MIAMI CT., SUITE 2-15  
MIAMI, FL 33132  
PH: (954) 399-8478  
FAX: (954) 744-4738  
WEB: www.buildingdrops.com



REMARKS	BY	DATE

THE INSTALLATION DETAILS DESCRIBED HEREIN ARE GENERIC AND MAY NOT REFLECT ACTUAL CONDITIONS FOR A SPECIFIC SITE. IF SITE CONDITIONS CAUSE INSTALLATION TO DEVIATE FROM THE REQUIREMENTS DETAILED HEREIN, A LICENSED ENGINEER OR ARCHITECT SHALL PREPARE SITE SPECIFIC DOCUMENTS FOR USE WITH THIS DOCUMENT.



FL #: **FL47925**

DATE: **12.04.2025**

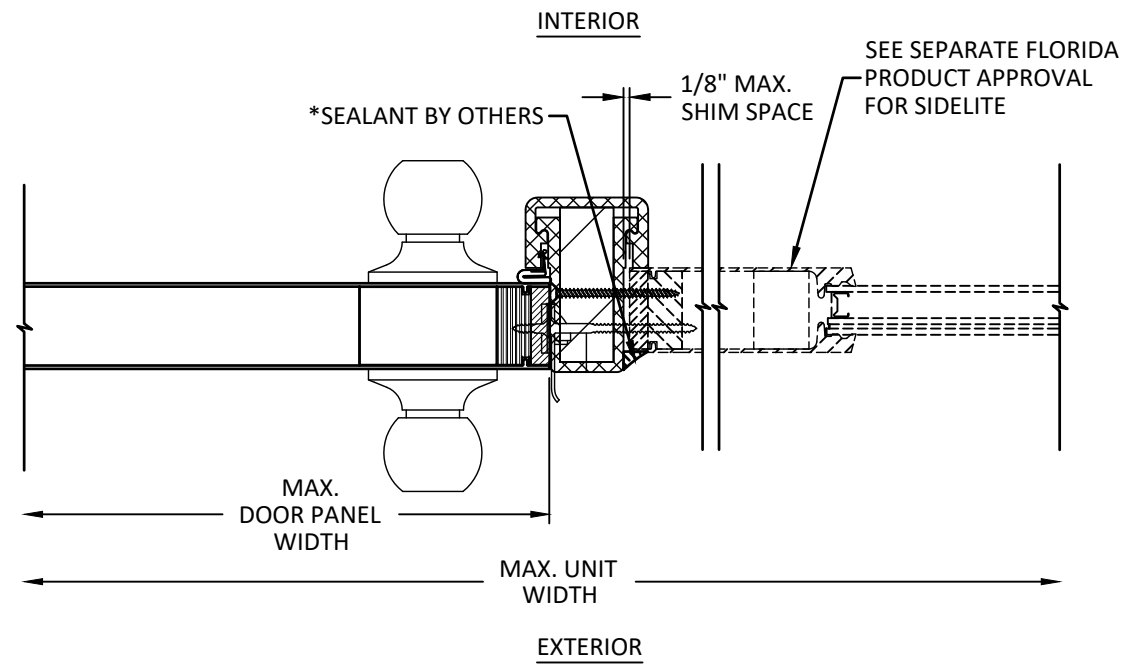
DWG. BY: **JR**      CHK. BY: **HFN**

SCALE: **NTS**

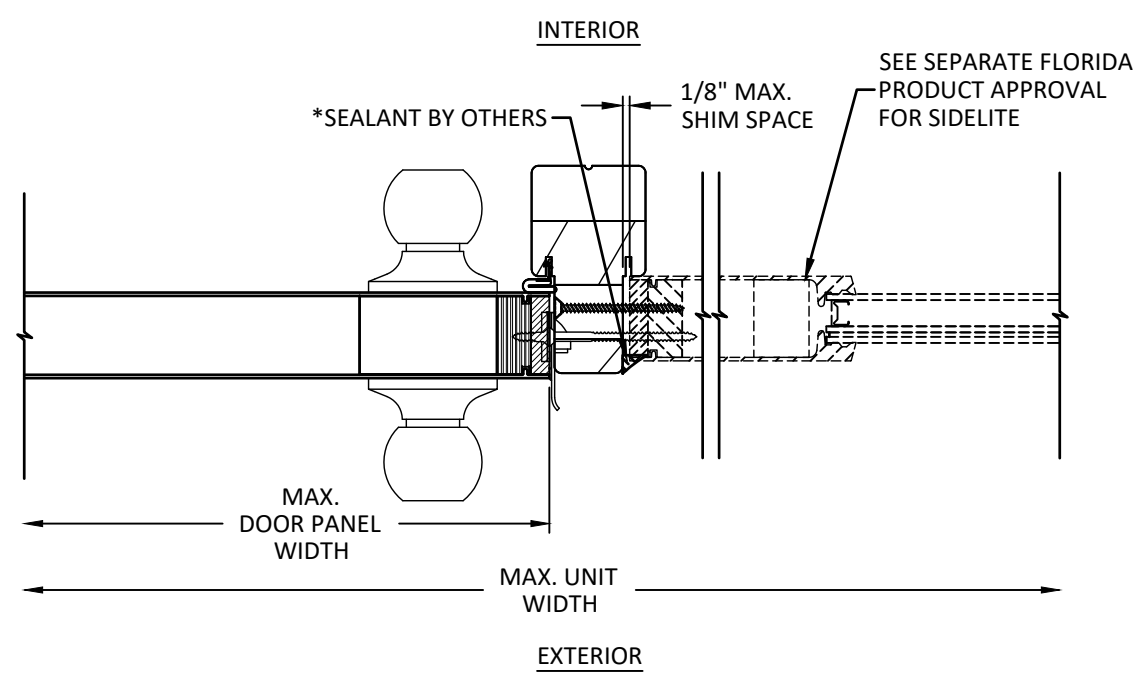
DWG. #: **ODL007**

SHEET:  
**13**  
OF 23

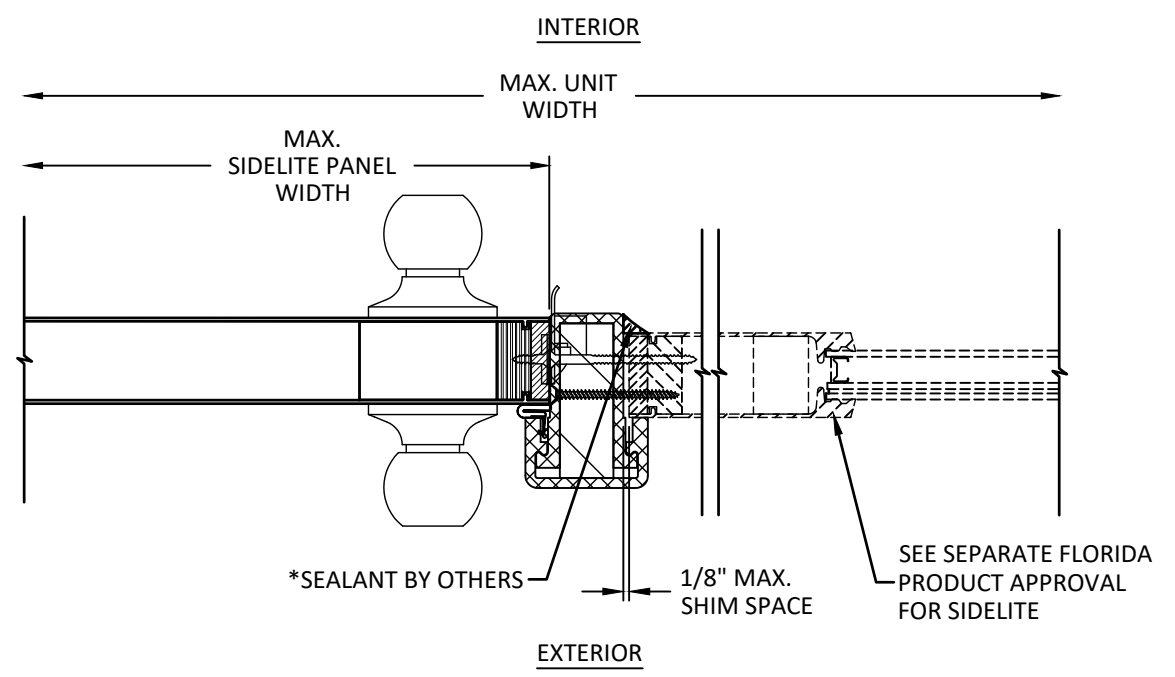
c:\users\julianarodriguez\building\_drops, inc\building\_drops, inc\documents\common\projects\odl, inc\bc-25-0439\_1 - submittal - odl fiberglass doors component additions\dwg\opaque\odl007.dwg 12/10/2025 4:27 PM



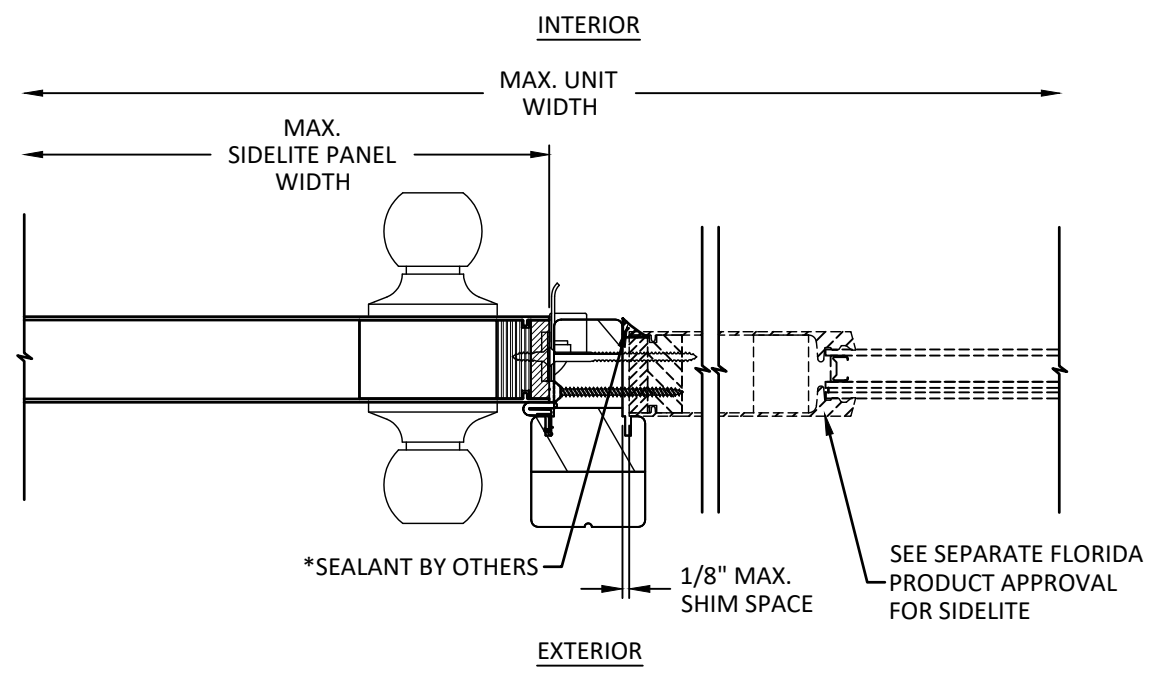
**A**  
**14** HORIZONTAL SECTION  
OUTSWING - PLASTPRO MULLION  
CONTINUOUS CONSTRUCTION  
RATED TO MAX. DESIGN PRESSURE +/- 50 PSF



**C**  
**14** HORIZONTAL SECTION  
OUTSWING - WOOD PINE MULLION  
CONTINUOUS CONSTRUCTION  
RATED TO MAX. DESIGN PRESSURE +/- 50 PSF



**B**  
**14** HORIZONTAL SECTION  
INSWING - PLASTPRO MULLION  
CONTINUOUS CONSTRUCTION  
RATED TO MAX. DESIGN PRESSURE +/- 50 PSF



**D**  
**14** HORIZONTAL SECTION  
INSWING - WOOD PINE MULLION  
CONTINUOUS CONSTRUCTION  
RATED TO MAX. DESIGN PRESSURE +/- 50 PSF



215 EAST ROOSEVELT AVE.  
ZEELAND, MICHIGAN 49464  
PH: (800) 253-3900

TITLE: INSWING & OUTSWING OPAQUE FIBERGLASS DOOR (WZ3) (IMPACT)

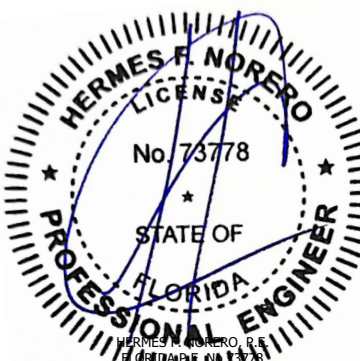
HORIZONTAL SECTIONS

PREPARED BY: BUILDING DROPS, INC.  
1900 NE MIAMI CT., SUITE 2-15  
MIAMI, FL 33132  
PH: (954) 399-8478  
FAX: (954) 744-4738  
WEB: www.buildingdrops.com



REMARKS	BY	DATE

THE INSTALLATION DETAILS DESCRIBED HEREIN ARE GENERIC AND MAY NOT REFLECT ACTUAL CONDITIONS FOR A SPECIFIC SITE. IF SITE CONDITIONS CAUSE INSTALLATION TO DEVIATE FROM THE REQUIREMENTS DETAILED HEREIN, A LICENSED ENGINEER OR ARCHITECT SHALL PREPARE SITE SPECIFIC DOCUMENTS FOR USE WITH THIS DOCUMENT.



HERMES F. NORERO, R.  
REGISTERED PROFESSIONAL ENGINEER  
BUILDING DROPS, INC.  
1900 NE MIAMI CT., SUITE 2-15  
MIAMI, FL 33132  
FBPE CERT. OF AUTHORIZATION No. 29578

FL #: **FL47925**

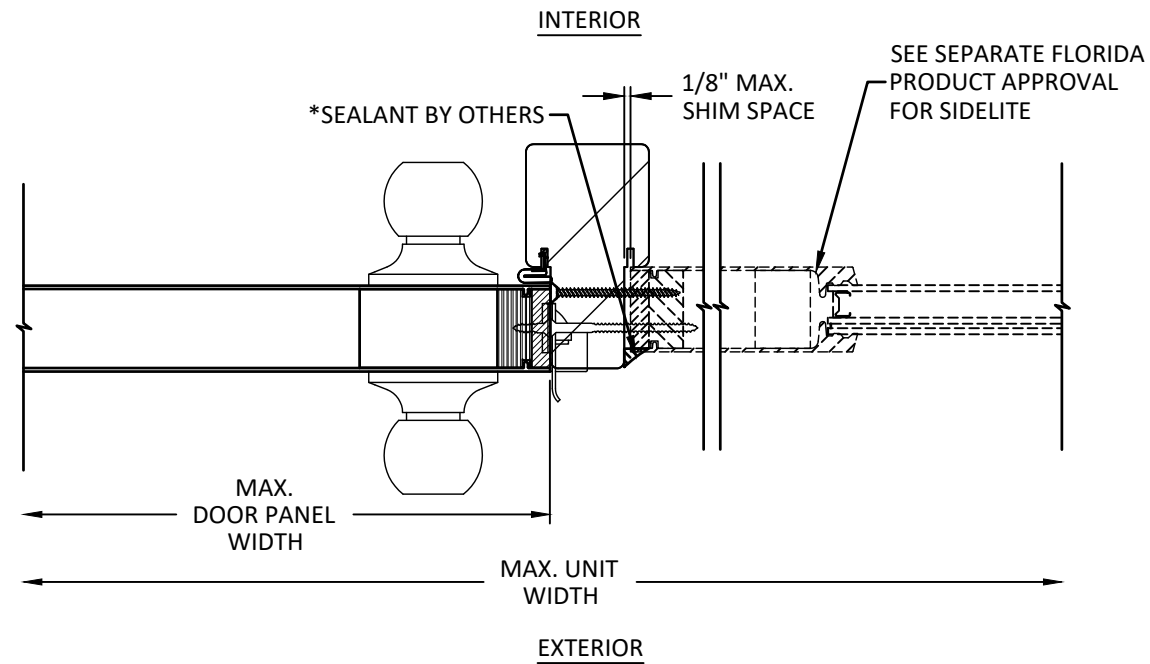
DATE: **12.04.2025**

DWG. BY: **JR**      CHK. BY: **HFN**

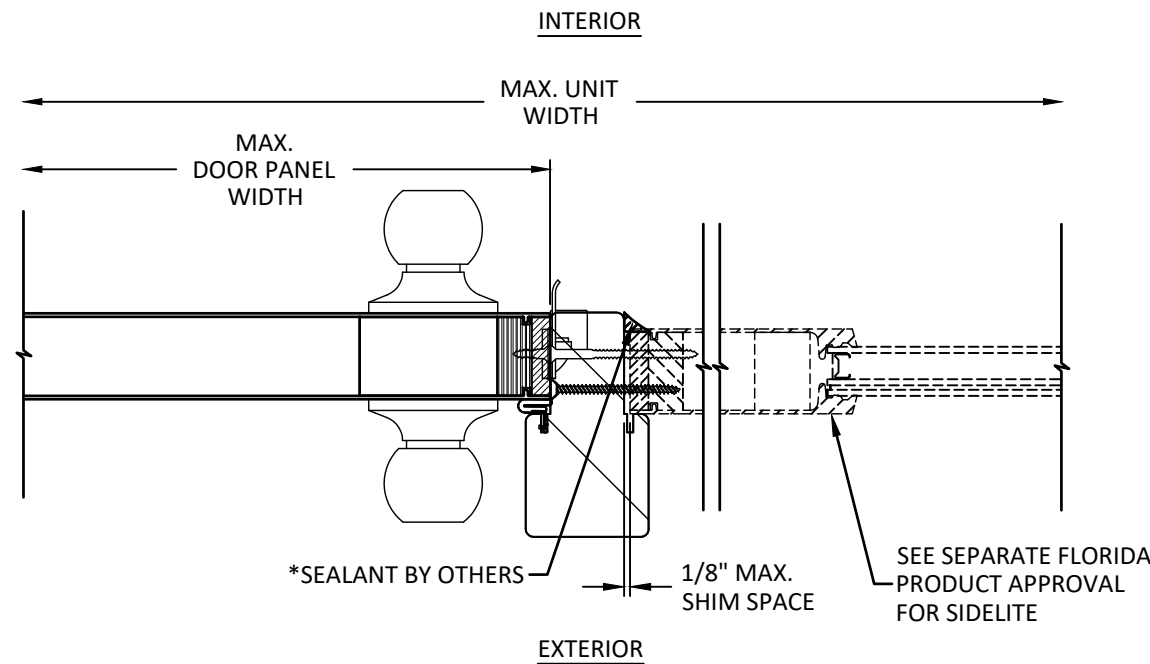
SCALE: **NTS**

DWG. #: **ODL007**

c:\users\julianarodriguez\building\_drops, inc\building\_drops\_projects\odl, inc\bc-25-0439\_1 - submittal - odl fiberglass doors component additions\dwg\opaque\odl007.dwg 12/10/2025 4:26 PM



**A** HORIZONTAL SECTION  
**15** OUTSWING - ENDURA FRAME  
 SAVER MULLION  
 CONTINUOUS CONSTRUCTION  
 RATED TO A MAX. DP OF +/- 32.7 PSF



**B** HORIZONTAL SECTION  
**15** INSWING - ENDURA FRAME  
 SAVER MULLION  
 RATED TO A MAX. DP OF +/- 32.7 PSF  
 CONTINUOUS CONSTRUCTION



215 EAST ROOSEVELT AVE.  
 ZEELAND, MICHIGAN 49464

PH: (800) 253-3900

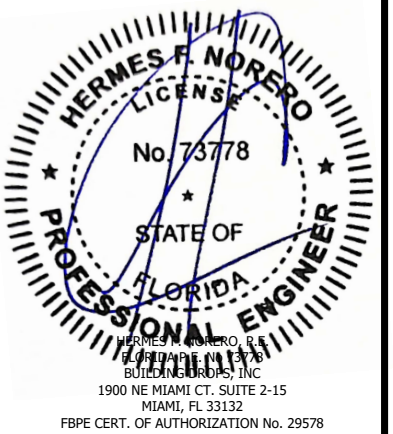
TITLE:  
**INSWING & OUTSWING OPAQUE  
 FIBERGLASS DOOR (WZ3) (IMPACT)**  
 HORIZONTAL SECTIONS

PREPARED BY:  
**BUILDING DROPS, INC.**  
 1900 NE MIAMI CT. SUITE 2-15  
 MIAMI, FL 33132  
 PH: (954) 399-8478  
 FAX: (954) 744-4738  
 WEB: www.buildingdrops.com



REMARKS	BY	DATE

THE INSTALLATION DETAILS DESCRIBED HEREIN ARE GENERIC AND MAY NOT REFLECT ACTUAL CONDITIONS FOR A SPECIFIC SITE. IF SITE CONDITIONS CAUSE INSTALLATION TO DEVIATE FROM THE REQUIREMENTS DETAILED HEREIN, A LICENSED ENGINEER OR ARCHITECT SHALL PREPARE SITE SPECIFIC DOCUMENTS FOR USE WITH THIS DOCUMENT.



FL #: **FL47925**

DATE: **12.04.2025**

DWG. BY: **JR**      CHK. BY: **HFN**

SCALE: **NTS**

DWG. #: **ODL007**

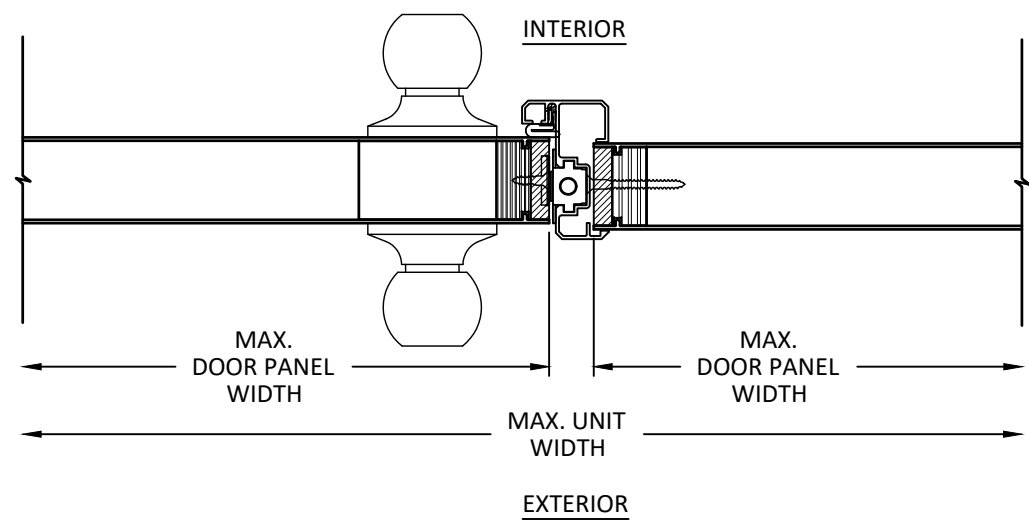
SHEET:  
**15**  
 OF 23

c:\users\julianarodriguez\building\_drops, inc\building\_drops\landings - documents\common\projects\odl, inc\bc-25-0439\_1 - submittal - odl fiberglass doors component additions\dwg\opaque\odl007.dwg 12/10/2025 4:27 PM

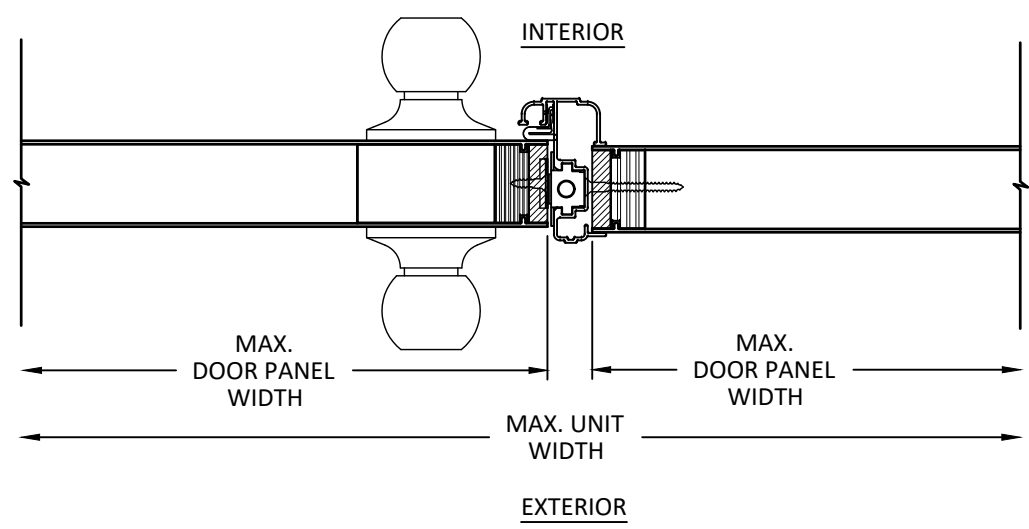


215 EAST ROOSEVELT AVE.  
ZEELAND, MICHIGAN 49464

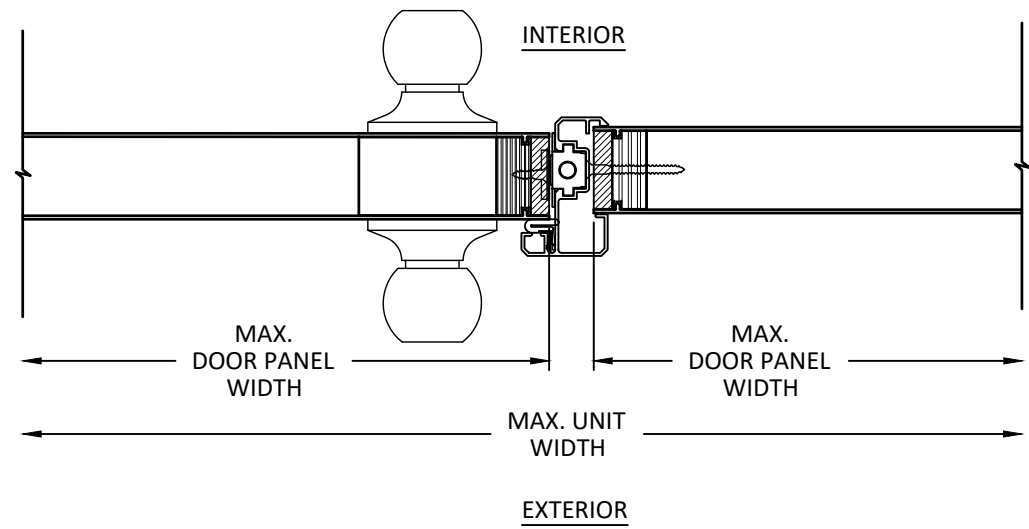
PH: (800) 253-3900



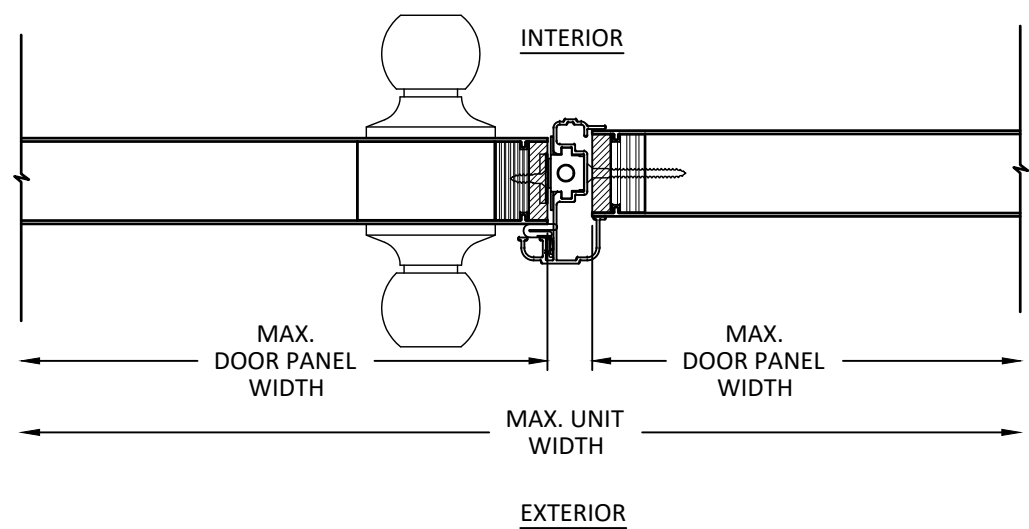
**A** HORIZONTAL SECTION  
**16** OUTSWING - DLP MODERN ASTRAGAL  
RATED TO MAX. DESIGN PRESSURE +/- 50 PSF



**C** HORIZONTAL SECTION  
**16** OUTSWING - DLP TRADITIONAL ASTRAGAL  
RATED TO MAX. DESIGN PRESSURE +/- 50 PSF



**B** HORIZONTAL SECTION  
**16** INSWING - DLP MODERN ASTRAGAL  
RATED TO MAX. DESIGN PRESSURE +/- 50 PSF



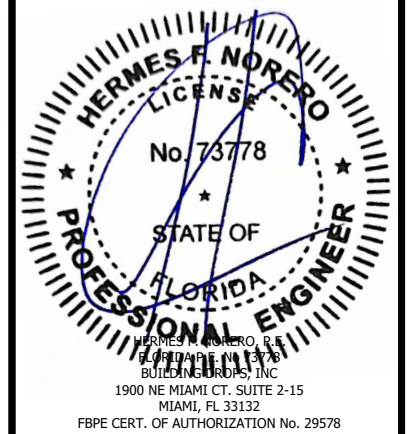
**D** HORIZONTAL SECTION  
**16** INSWING - DLP TRADITIONAL ASTRAGAL  
RATED TO MAX. DESIGN PRESSURE +/- 50 PSF

TITLE:  
INSWING & OUTSWING OPAQUE  
FIBERGLASS DOOR (WZ3) (IMPACT)  
HORIZONTAL SECTIONS

PREPARED BY:  
**BUILDING DROPS, INC.**  
1900 NE MIAMI CT., SUITE 2-15  
MIAMI, FL 33132  
PH: (954) 399-8478  
FAX: (954) 744-4738  
WEB: www.buildingdrops.com

REMARKS	BY	DATE

THE INSTALLATION DETAILS DESCRIBED HEREIN ARE GENERIC AND MAY NOT REFLECT ACTUAL CONDITIONS FOR A SPECIFIC SITE. IF SITE CONDITIONS CAUSE INSTALLATION TO DEVIATE FROM THE REQUIREMENTS DETAILED HEREIN, A LICENSED ENGINEER OR ARCHITECT SHALL PREPARE SITE SPECIFIC DOCUMENTS FOR USE WITH THIS DOCUMENT.



FL #:  
**FL47925**

DATE: **12.04.2025**

DWG. BY: **JR**      CHK. BY: **HFN**

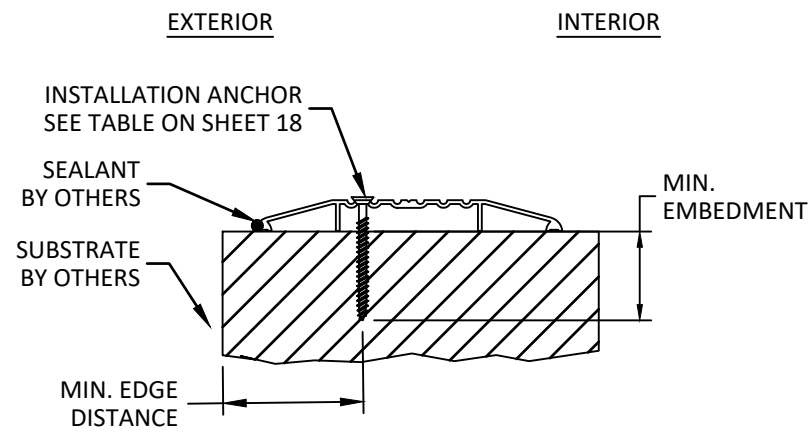
SCALE: **NTS**

DWG. #: **ODL007**

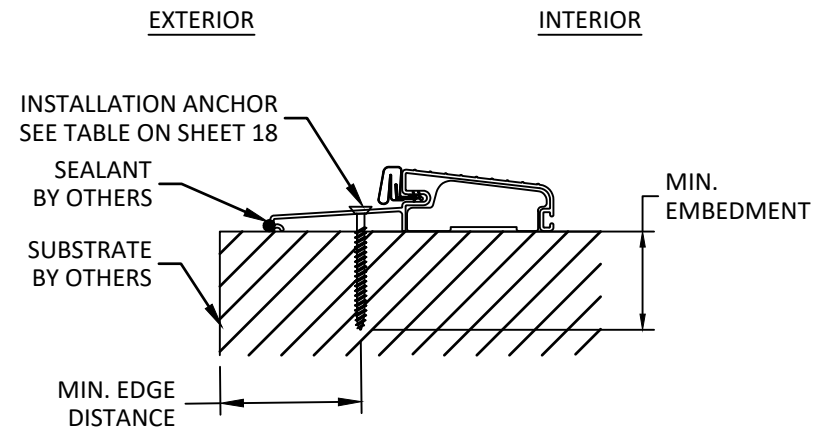
SHEET:  
**16**  
OF 23



12/10/2025 4:27 PM  
 c:\users\julianarodriguez\building\_drops, inc\building\_drops, inc\building\_drops, inc\documents\common\projects\odi, inc\bc-25-0439\_1 - submittal - odi fiberglass doors component additions\dwg\opaque\odi007.dwg



**A**  
18  
**ANCHOR DETAIL**  
DLP ADA ISHC SILL



**B**  
18  
**ANCHOR DETAIL**  
ENDURA FOB4565 SILL

**INSTALLATION NOTES:**

- ONE (1) INSTALLATION ANCHOR IS REQUIRED AT EACH ANCHOR LOCATION SHOWN FOR THROUGH FRAME INSTALLATION.
- THE NUMBER OF INSTALLATION ANCHORS DEPICTED IS THE MINIMUM NUMBER OF ANCHORS TO BE USED FOR PRODUCT INSTALLATION OF THE MAXIMUM SIZE LISTED.
- INSTALL INDIVIDUAL INSTALLATION ANCHORS WITHIN A TOLERANCE OF  $\pm 1/4$  INCH THE DEPICTED LOCATION & SPACING IN THE ANCHOR LAYOUT DETAILS (I.E., WITHOUT CONSIDERATION OF TOLERANCES). TOLERANCES ARE NOT CUMULATIVE FROM ONE INSTALLATION ANCHOR TO THE NEXT.
- SHIM AS REQUIRED AT EACH INSTALLATION ANCHOR WITH LOAD BEARING SHIM(S). MAXIMUM ALLOWABLE SHIM STACK TO BE 1/4 INCH. SHIM WHERE SPACE OF 1/16 INCH OR GREATER OCCURS. SHIM(S) SHALL BE CONSTRUCTED OF HIGH DENSITY PLASTIC OR BETTER.
- FOR MASONRY OR CONCRETE OPENINGS, A 1X WOOD BUCK MAY BE USED (OPTIONAL) AS LONG AS THE MINIMUM EMBEDMENT AND EDGE DISTANCE REQUIREMENTS ARE STILL MET WITHIN THE CORRESPONDING HOST SUBSTRATE. SEE GENERAL NOTE #3 ON SHEET 1 FOR MORE INFORMATION.
- MINIMUM EMBEDMENT AND EDGE DISTANCE EXCLUDE WALL FINISHES, INCLUDING BUT NOT LIMITED TO STUCCO, FOAM, BRICK VENEER, AND SIDING.
- INSTALLATION ANCHORS AND ASSOCIATED HARDWARE MUST BE MADE OF CORROSION RESISTANT MATERIAL OR HAVE A CORROSION RESISTANT COATING.
- FOR HOLLOW BLOCK AND GROUT FILLED BLOCK, DO NOT INSTALL INSTALLATION ANCHORS INTO MORTAR JOINTS. EDGE DISTANCE IS MEASURED FROM FREE EDGE OF BLOCK OR EDGE OF MORTAR JOINT INTO FACE SHELL OF BLOCK.
- INSTALLATION ANCHORS SHALL BE INSTALLED IN ACCORDANCE WITH ANCHOR MANUFACTURER'S INSTALLATION INSTRUCTIONS, AND ANCHORS SHALL NOT BE USED IN SUBSTRATES WITH STRENGTHS LESS THAN THE MINIMUM STRENGTH SPECIFIED BY THE ANCHOR MANUFACTURER.

ANCHOR SCHEDULE				
METHOD	SUBSTRATE	ANCHOR TYPE	MIN. EMBEDMENT	MIN. EDGE DISTANCE
THROUGH FRAME	WOOD: MIN. S.G. = 0.55	#10 WOOD SCREW	1.50"	0.75"
	CONCRETE (MIN. f'c = 3000 PSI) OR CMU (PER ASTM C90)	3/16" ITW TAPCON	1.00"	2.50"
	STEEL MIN. 18 GA. (MIN. Fy = 36 KSI) ALUM. MIN. 1/8" THK. (MIN. 6063-T5)	#12 SELF-TAPPING OR SELF-DRILLING SCREW	3 THREADS MIN PENETRATION BEYOND METAL	0.50"



215 EAST ROOSEVELT AVE.  
ZEELAND, MICHIGAN 49464

PH: (800) 253-3900

TITLE:  
INSWING & OUTSWING OPAQUE  
FIBERGLASS DOOR (WZ3) (IMPACT)

ANCHOR DETAILS, ANCHOR SCHEDULE,  
& INSTALLATION NOTES

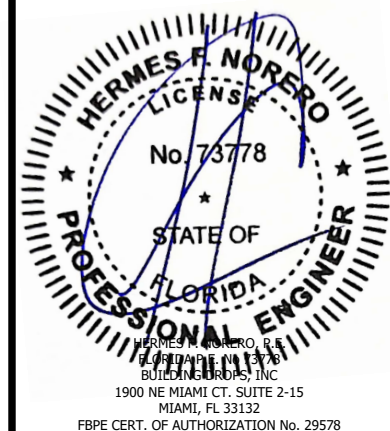
PREPARED BY:  
BUILDING DROPS, INC.

1900 NE MIAMI CT., SUITE 2-15  
MIAMI, FL 33132  
PH: (954) 399-8478  
FAX: (954) 744-4738  
WEB: www.buildingdrops.com



REMARKS	BY	DATE

THE INSTALLATION DETAILS DESCRIBED HEREIN ARE GENERIC AND MAY NOT REFLECT ACTUAL CONDITIONS FOR A SPECIFIC SITE. IF SITE CONDITIONS CAUSE INSTALLATION TO DEVIATE FROM THE REQUIREMENTS DETAILED HEREIN, A LICENSED ENGINEER OR ARCHITECT SHALL PREPARE SITE SPECIFIC DOCUMENTS FOR USE WITH THIS DOCUMENT.



FL #:  
**FL47925**

DATE: **12.04.2025**

DWG. BY: **JR**      CHK. BY: **HFN**

SCALE: **NTS**

DWG. #: **ODL007**

SHEET:  
**18**

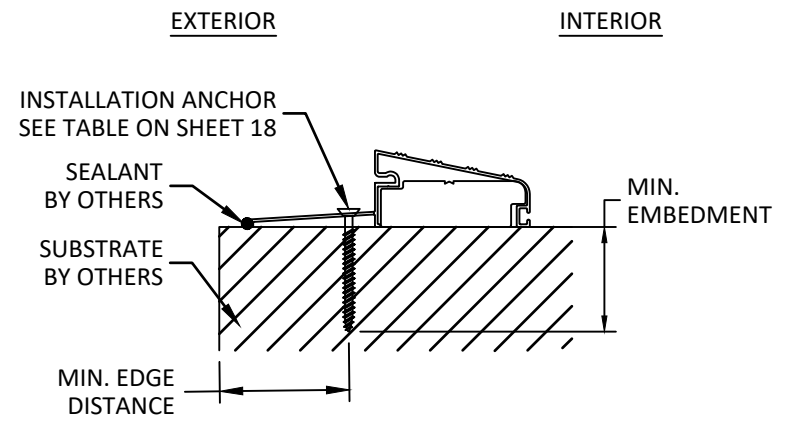
OF 23

c:\users\julianarodriguez\building\_drops, inc\building\_drops\landing - documents\common\projects\odi, inc\bc-25-0439.1 - submittal - odi fiberglass doors component additions\dwg\opaque\odi007.dwg 12/10/2025 4:27 PM

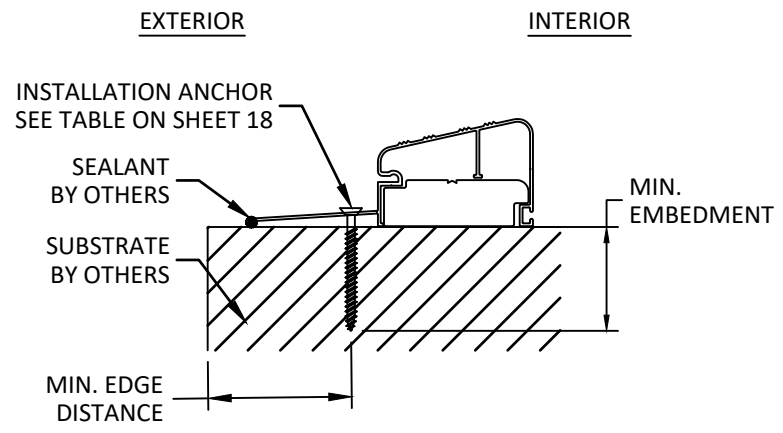


215 EAST ROOSEVELT AVE.  
ZEELAND, MICHIGAN 49464

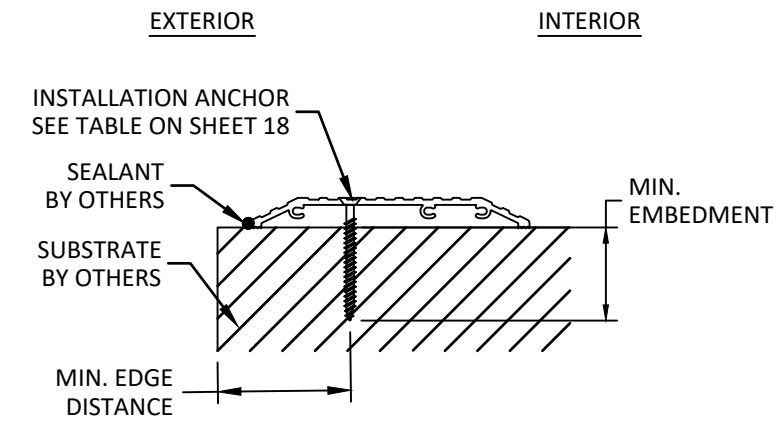
PH: (800) 253-3900



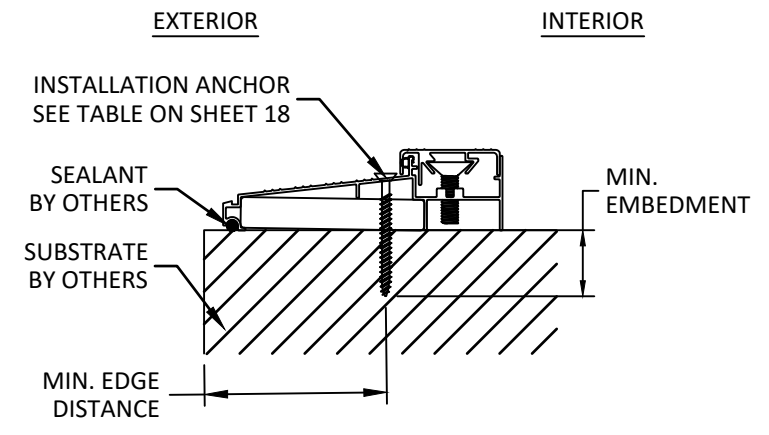
**A**  
19 ANCHOR DETAIL  
QOSH SILL



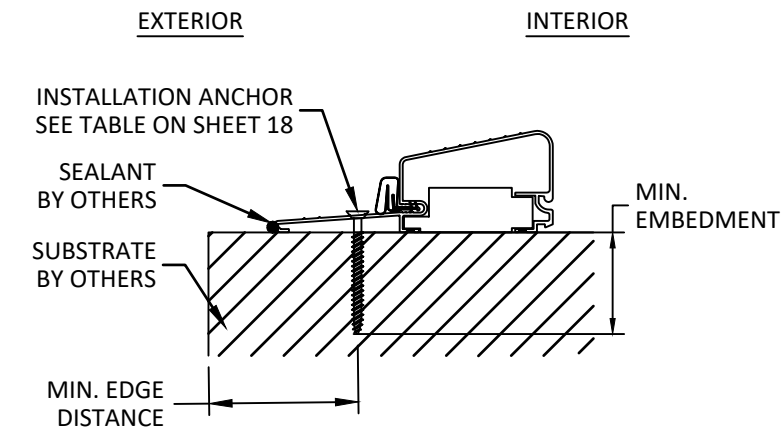
**B**  
19 ANCHOR DETAIL  
QOSR SILL



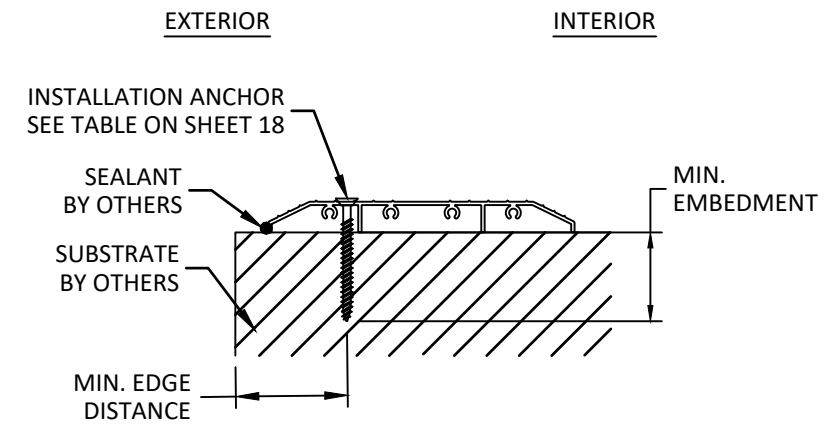
**C**  
19 ANCHOR DETAIL  
DLP ADA DB4565DL SILL



**D**  
19 ANCHOR DETAIL  
DLP ISCS SILL



**E**  
19 ANCHOR DETAIL  
AFCO H-497 SILL



**F**  
19 ANCHOR DETAIL  
ENDURA HC15000 ADA SILL

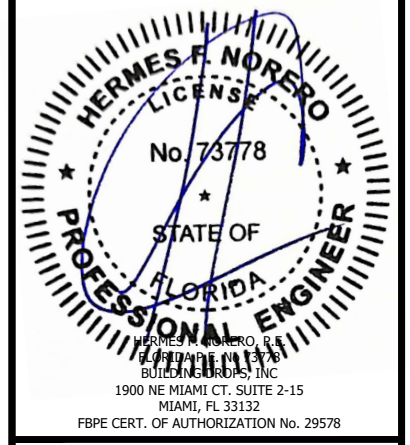
TITLE: INSWING & OUTSWING OPAQUE FIBERGLASS DOOR (WZ3) (IMPACT)

ANCHOR DETAILS

PREPARED BY: BUILDING DROPS, INC.  
1900 NE MIAMI CT, SUITE 2-15  
MIAMI, FL 33132  
PH: (954) 399-8478  
FAX: (954) 744-4738  
WEB: www.buildingdrops.com

REMARKS	BY	DATE

THE INSTALLATION DETAILS DESCRIBED HEREIN ARE GENERIC AND MAY NOT REFLECT ACTUAL CONDITIONS FOR A SPECIFIC SITE. IF SITE CONDITIONS CAUSE INSTALLATION TO DEVIATE FROM THE REQUIREMENTS DETAILED HEREIN, A LICENSED ENGINEER OR ARCHITECT SHALL PREPARE SITE SPECIFIC DOCUMENTS FOR USE WITH THIS DOCUMENT.



FL #: **FL47925**

DATE: **12.04.2025**

DWG. BY: **JR** | CHK. BY: **HFN**

SCALE: **NTS**

DWG. #: **ODL007**

SHEET: **19** OF 23

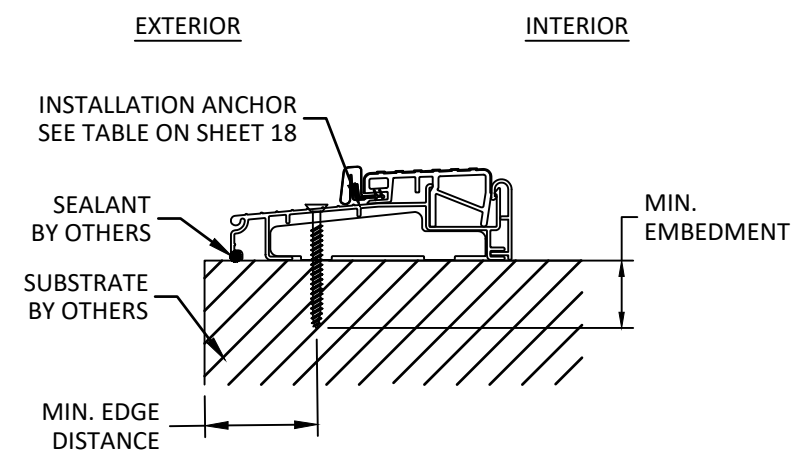


c:\Users\julianarodriguez\building\_drops, inc\building\_drops\_projects\odl, inc\bc-25-0439\_1 - submittal - odl fiberglass doors component additions\dwg\opaque\odl007.dwg

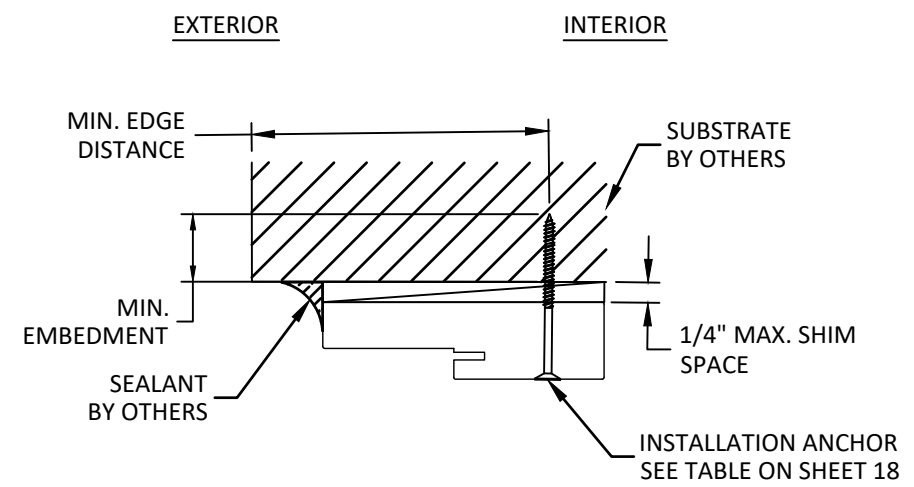


215 EAST ROOSEVELT AVE.  
ZEELAND, MICHIGAN 49464

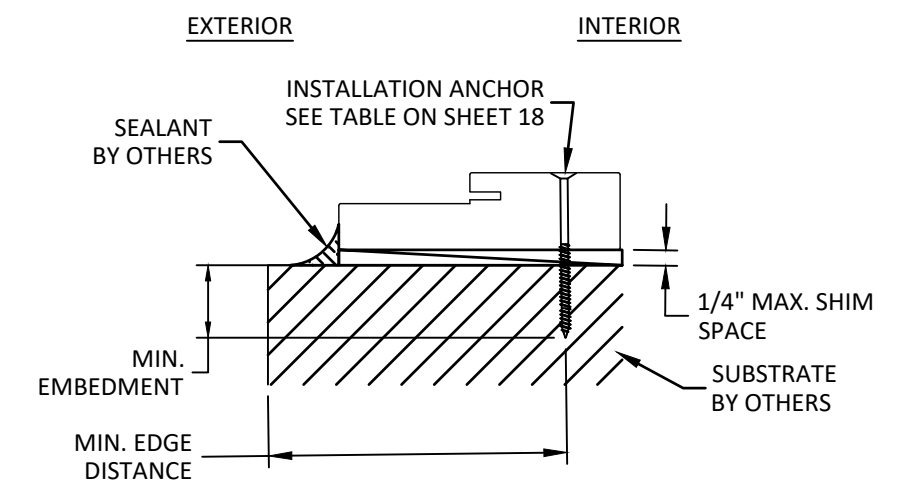
PH: (800) 253-3900



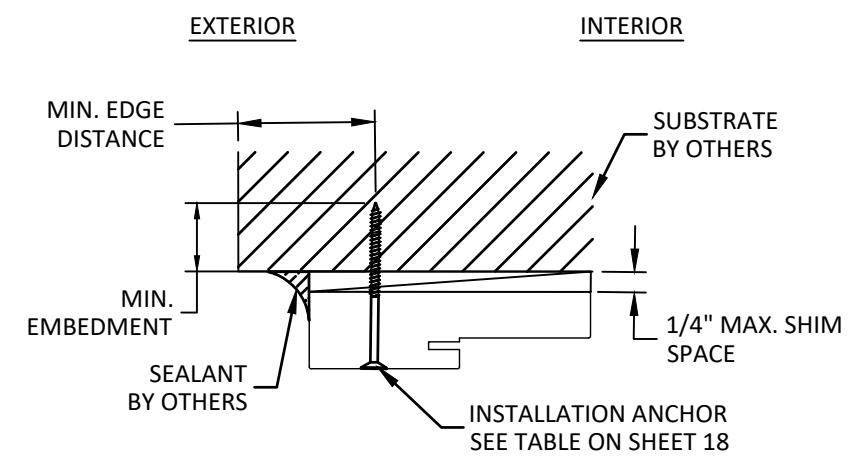
**A**  
**21** ANCHOR DETAIL  
ENDURA ZOB4565FN SILL



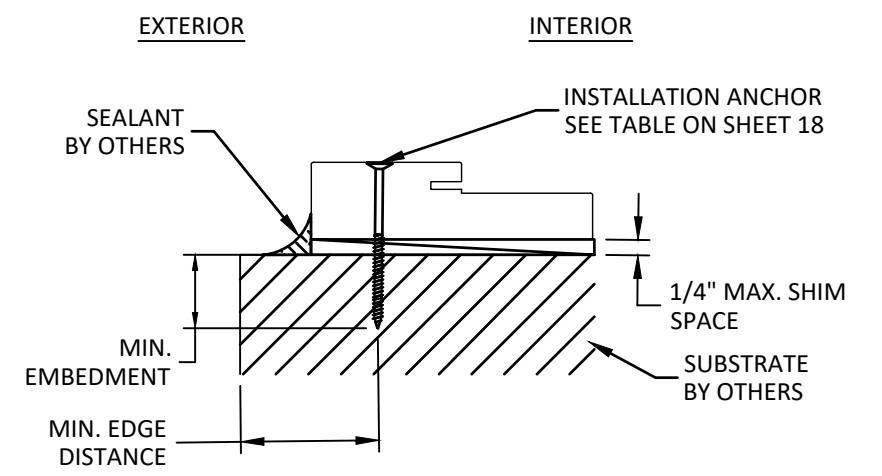
**B**  
**21** ANCHOR DETAIL  
OUTSWING - DOOR HEAD  
JAMB SIMILAR



**C**  
**21** ANCHOR DETAIL  
OUTSWING - SIDELITE SILL  
HEAD AND JAMB SIMILAR



**D**  
**21** ANCHOR DETAIL  
INSWING - DOOR HEAD  
JAMB SIMILAR



**E**  
**21** ANCHOR DETAIL  
INSWING - SIDELITE SILL  
HEAD AND JAMB SIMILAR

TITLE: INSWING & OUTSWING OPAQUE FIBERGLASS DOOR (WZ3) (IMPACT)

ANCHOR DETAILS

PREPARED BY: BUILDING DROPS, INC.  
1900 NE MIAMI CT., SUITE 2-15  
MIAMI, FL 33132  
PH: (954) 399-8478  
FAX: (954) 744-4738  
WEB: www.buildingdrops.com

REMARKS	BY	DATE

THE INSTALLATION DETAILS DESCRIBED HEREIN ARE GENERIC AND MAY NOT REFLECT ACTUAL CONDITIONS FOR A SPECIFIC SITE. IF SITE CONDITIONS CAUSE INSTALLATION TO DEVIATE FROM THE REQUIREMENTS DETAILED HEREIN, A LICENSED ENGINEER OR ARCHITECT SHALL PREPARE SITE SPECIFIC DOCUMENTS FOR USE WITH THIS DOCUMENT.

HERMES F. NORERO  
LICENSE  
No. 73778  
STATE OF  
FLORIDA  
PROFESSIONAL ENGINEER

HERMES F. NORERO, R.  
JULIAN RODRIGUEZ, R.  
BUILDING DROPS, INC.  
1900 NE MIAMI CT., SUITE 2-15  
MIAMI, FL 33132  
FBPE CERT. OF AUTHORIZATION No. 29578

FL #: **FL47925**

DATE: **12.04.2025**

DWG. BY: **JR**      CHK. BY: **HFN**

SCALE: **NTS**

DWG. #: **ODL007**

SHEET: **21**  
OF 23



